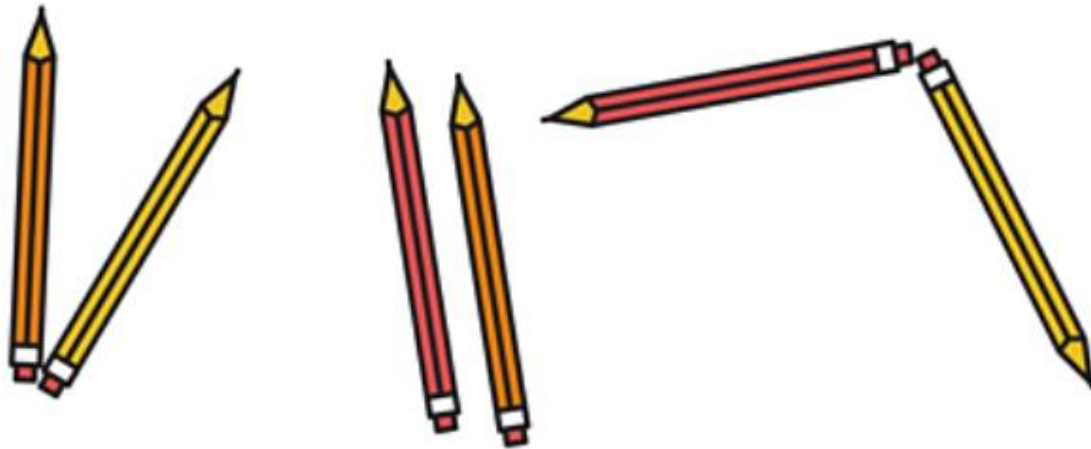


L.O: I can identify an angle

# Turns and Angles

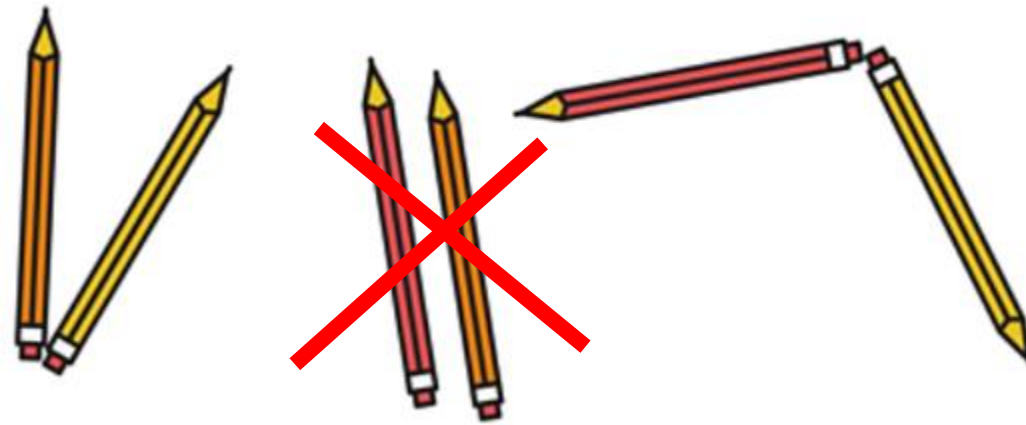
Angles are all around us. An angle is created when two straight lines meet.

Look at the picture below. Two of the pairs of pencils show angles, can you work out which ones?



# Turns and Angles

If your answer was the pair on the left and the pair on the right, then you are correct. The pair in the middle does not show an angle because the lines do not touch.



Remember – the lines have to meet!

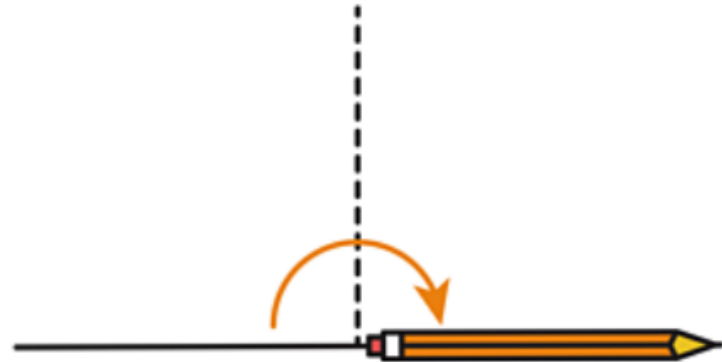
# Turns and Angles

The picture below shows a **right angle**. This is a special type of angle that is a **quarter** of a **full turn**.



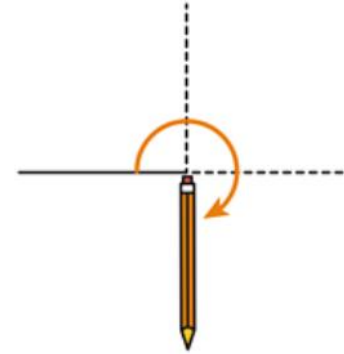
# Turns and Angles

Two right angles together make a **half turn**...



# Turns and Angles

So, three right angles make up **three quarters** of a full turn...



And four right angles make a **full circle**.

