
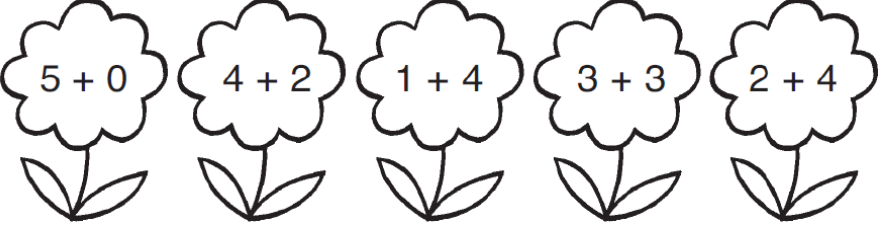
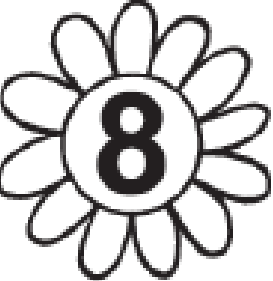
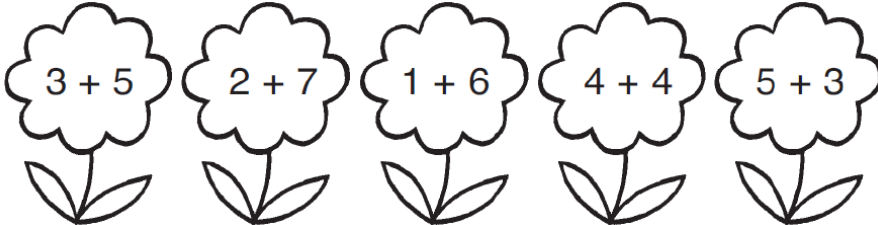

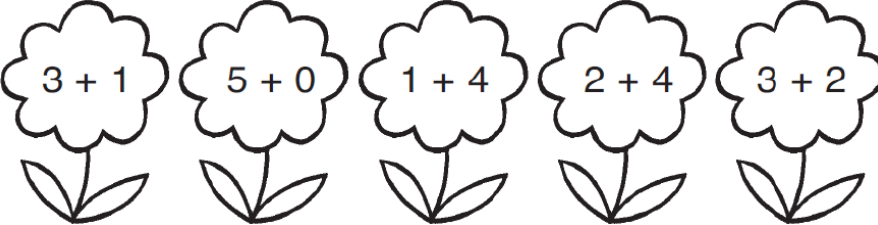

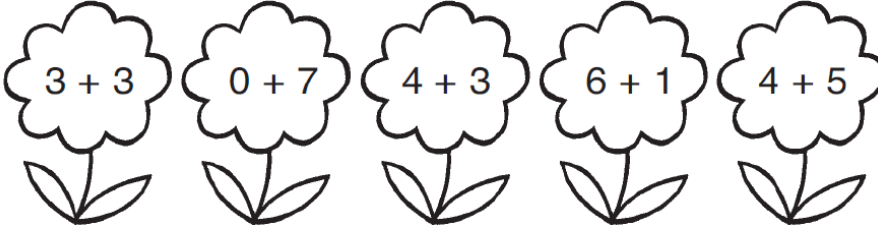
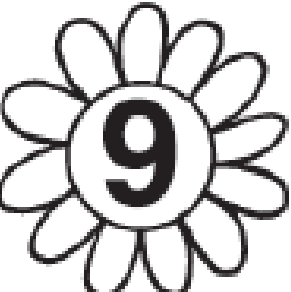
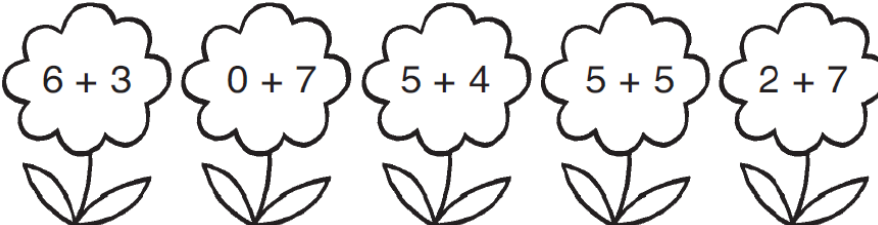
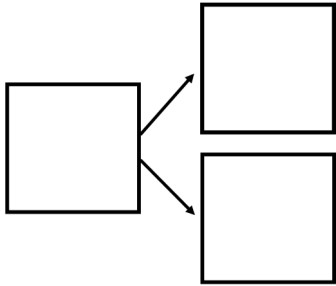


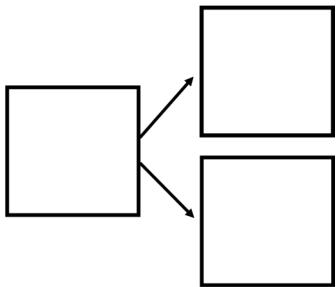
Colour the flowers that match each target number.

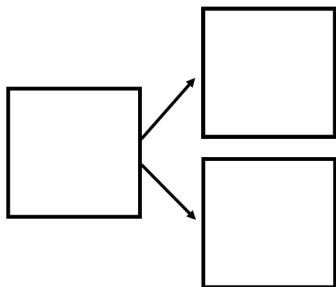
7



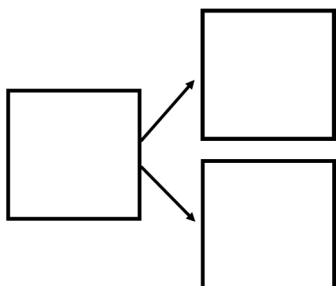
$$\square + \square = 7$$



$$\square + \square = 7$$

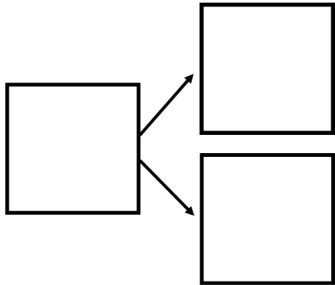


$$\square + \square = 7$$

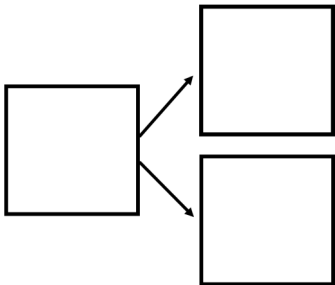


$$\square + \square = 7$$

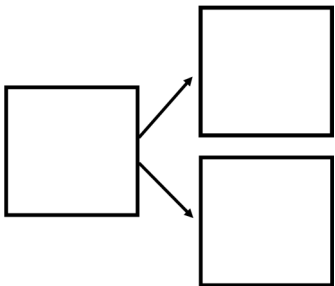
8



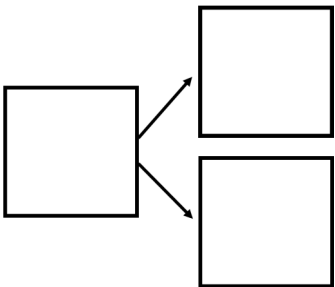
$$\square + \square = 8$$



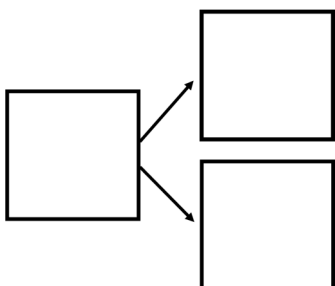
$$\square + \square = 8$$



$$\square + \square = 8$$

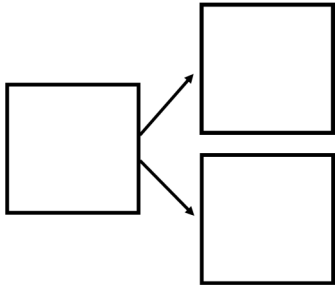


$$\square + \square = 8$$

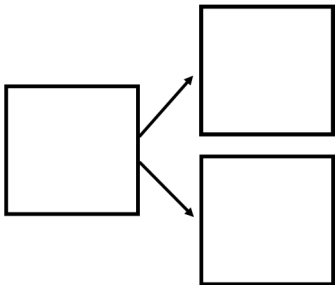


$$\square + \square = 8$$

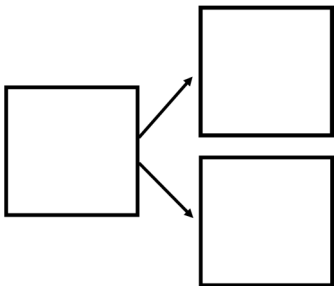
9



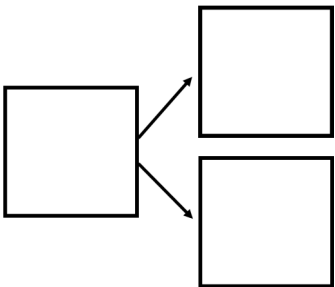
$$\square + \square = 9$$



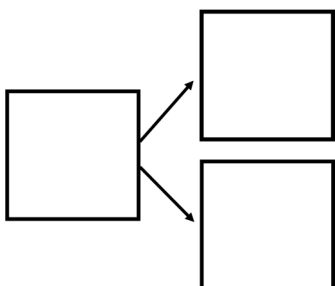
$$\square + \square = 9$$



$$\square + \square = 9$$

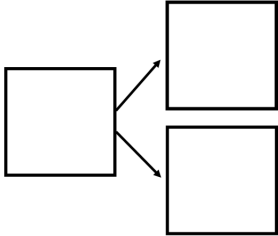
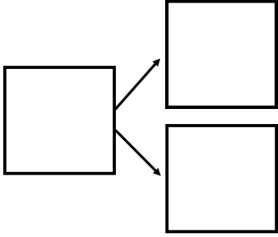
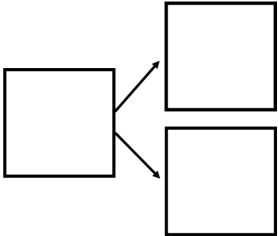
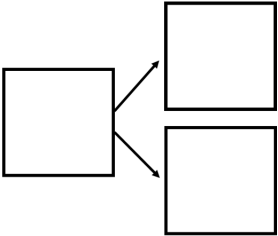
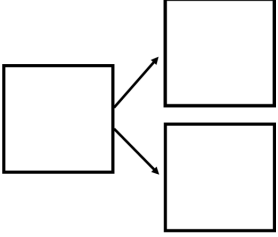
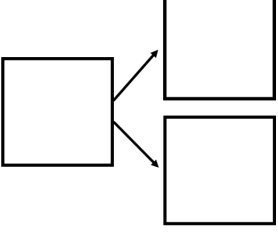


$$\square + \square = 9$$



$$\square + \square = 9$$

10

	$\square + \square = 10$
	$\square + \square = 10$
	$\square + \square = 10$
	$\square + \square = 10$
	$\square + \square = 10$
	$\square + \square = 10$